

EYOO

The Eyoo support :
design, autonomy and mobility, the future in your hands.



Autonomous stand

With integrated Batterys, the Eyoo offers a power autonomy of 6 to 8 hours to facilitate its use. It moves from room to room, without requiring any power connections.

Optimized mobility

Its base ensures excellent stability and has been designed to pass through doors. Thanks to its ergonomic handles, your screens are finally easy to manipulate.

Shelf and secure storage

Eyoo is designed with a foldable shelf in the back and a removable front shelf to place and connect a computer or a camera, with a secure compartment to store your equipments.

Offset system

USB and HDMI ports have been placed inside the mount to facilitate connections.

Optional

- Yoo'UP Control light.
- Yoo'UP Control.
- Selection of color.
- Addition of your logo.
- Adjustment.

With its energy autonomy of up to 8 hours, Eyoo support is perfect for any professional event. Perfect for use in hospitals, workshops, trade shows and training rooms.

eyoo

MOUNT

- HEIGHT ADJUSTMENT : Manual
- ADJUSTING STROKE : 400 mm
- FUTURE ADJUSTMENT : Inclination
- MATERIALS : Steel, Aluminium et ABS
- IDEAL ENVIRONMENT : 0-40°C, 0-90% relative humidity (without condensation) indoors only
- STANDARD COLORS : Black Carbon textured and Glacial White Aluminium

CAPACITY

- MAXIMUM LOAD : 70 kg
- SUPPORTED SCREEN SIZES : 70"
- VESA COMPATIBLE MOUNTING : 200 x 200 up to 600 x 400

DIMENSIONS & WEIGHT

See the technical illustration beside

- HEIGHT : 1977 mm
- WIDTH : 1354 mm
- DEPTH : 694 mm
- EMPTY WEIGHT : 75 Kg
- DIMENSIONS OF PACKAGING : Fixed on a pallet 1400 x 800 x 2100 mm

ENERGY

- BATTERY : Battery pack LiFeP04
- THEORETICAL CAPACITY : 50A.h
- AVERAGE THEORETICAL AUTONOMY (PROFESSIONAL SCREEN)* : 8h (*Professional screen of 55 inches)
- AVERAGE THEORETICAL AUTONOMY (INTERACTIVE SCREEN) : 6h (**Interactive screen of 55 inches)
- CHARGE DURATION : 5h
- OPERATING TEMPERATURE : -20°C/+60°
- RECHARGING TEMPERATURE : -20°C/+60°C

MOBILITY

- 4 WHEELS WITH BRAKE
- HANDLES

SHELF

- DIMENSIONS : 300 mm x 200 mm, max load 10 kg
- LOCATION : Back or front
- SURFACE : Gripping

OTHER EQUIPMENT

- SECURED STORAGE SPACE
- 1 INTEGRATED SOCKET

OPTIONS

- YOO'UP CONTROL / YOO'UP CONTROL LIGHT
- PERSONALIZED COLORS RAL (EXCLUDING STANDARD COLORS)
- PERSONALIZED LOGO

WARRANTY

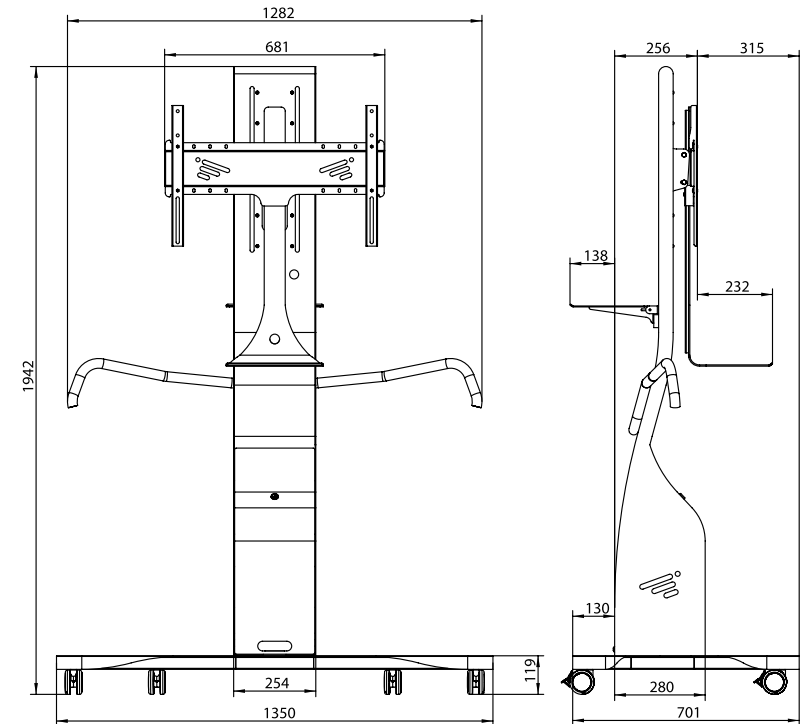
- STEEL MOUNT WITH LIFETIME WARRANTY
- 2 YEARS WARRANTY ON THE ELECTRONICS

CONNECTION AND EXTENSIONS

- 1 USB OUTPUT: 5VDC, 3A MAX
- 1 USB OUTPUT: 5VDC, 1A MAX
- DEVICE OUTPUTS: 2 USB + 1 HDMI (front panel jacks and screen connections)

CERTIFICATIONS

- CERTIFICATION CE : machine directive (2006/42/CE), CEM directive (2014/30/UE)
- CERTIFICATION ROHS



	Bottom of the screen on the lowest position	Top of the screen on the highest position
45 inches	1180 mm	2130 mm
55 inches	1100 mm	2210 mm
65 inches	1030 mm	2270 mm

Central position of the screen at half height: 1550 mm





REFERENCE
EYOO

contact@yooup.fr

+33 (0)9 72 10 71 25

www.yooup.fr

All rights reserved. Yoo'Up products and services mentioned here in as well as their respective logos are trademarks or registered trademarks of Yoo'Up. All other product and service names mentioned are the trademarks of the irrispective owners. All weights and dimensions are approximate. Product specifications are subject to change without prior notification.



YOO'UP
TAME STEEL WITH STYLE