

EVO1

The Evo1 support : your screens finally have a motorized and intelligent mount.

Screen attachment up to 98" +

Designed for all screens between 56 and 98 inches, this mount is specially designed for places where the wall structure cannot mount heavy loads.

Control interface +

The Yoo'UP Control allows you to save time thanks to the simplified management of all your tools: launching, changing the video source, managing the volume and brightness of the screen, etc.

Customize the control interface using the Yoo'UP Manager.

The Yoo'UP app allows access to all the features offered by the interface.

+ Motorized height adjustment

The mount offers a vertical screen adjustment with a stroke of 400 mm that adapts to any user (people with reduced mobility, children) and to any use. The EVO1 is equipped with a motorization that allows a quick and discreet adjustment.

+ Secure storage

With a lockable compartment with an integrated multi-socket, the Evo1 allows a simple and safe storage of all your equipment.

+ Ergonomic base

Thanks to its discreet base, the screen mount allows easy access. Designed for people with reduced mobility.

+ Optional

- Selection of color.
- Addition of your logo.
- Mobility.
- Power inverter (Backup).

Perfect for large interactive screens.
The Evo1 will add value to your conference, training and meeting rooms thanks to its elegant design and innovative technology.



MOUNT

- HEIGHT ADJUSTMENT : Motorized
- ADJUSTING STROKE : 400 mm
- MATERIALS : Steel, Aluminum and ABS
- POWER SUPPLY : 100-240VAC, 2.8A, 50/60HZ
- MAX POWER CONSUMPTION (W/O TV): 156W
- IDEAL ENVIRONMENT : 0-40°C, 0-90% relative humidity (without condensation) indoors only
- STANDARD COLORS : Black Carbon and Glacial White Aluminum

CAPACITY

- MAXIMUM LOAD: 130 kg (without wheels), 100 kg (with wheels).
- OPTIMAL SCREEN SIZE: 98" (without wheels), 86" (with wheels).
- VESA COMPATIBLE MOUNTING : 300 x 300 up to 800 x 600

DIMENSIONS & WEIGHT

See the technical illustration beside

- HEIGHT : 1977 mm
- WIDTH : 1133 mm
- DEPTH : 665 mm
- EMPTY WEIGHT : 80 KG
- DIMENSIONS OF PACKAGING : Fixed on a pallet 800 x 1200 x 2200 mm

MOTORIZATION

- MOTOR : Electric
- POWER : 75W
- MAX SPEED : 25 MM/S
- NOISE LEVEL : < 65 DB

YOOP Control

- SCREEN SIZE : 7 inches
- RESOLUTION : 800X480
- TECHNOLOGY : Capacitive touch
- COMMUNICATION PROTOCOL WITH EQUIPMENT : RS232
- WIRELESS COMMUNICATION : Wi-Fi Connexion 802.11ac, Bluetooth Low Energy
- RFID SENSOR INTEGRATED

STORAGE SPACE

- DIMENSIONS : 600mm(h) x 210 mm(w) x 360 mm(d) (exact volume : 45L)
- SECURITY : Key opening

OTHER EQUIPMENT

- POWER STRIP : 4 connections
- BADGE : Communication protocol RFID

OPTIONS

- WHEELS : 6 Wheels
- INVERTER : Autonomous between 5 and 20 minutes based on the screen installed
- PERSONALIZED COLORS RAL (EXCLUDING STANDARD COLORS)
- PERSONALIZED LOGO

WARRANTY

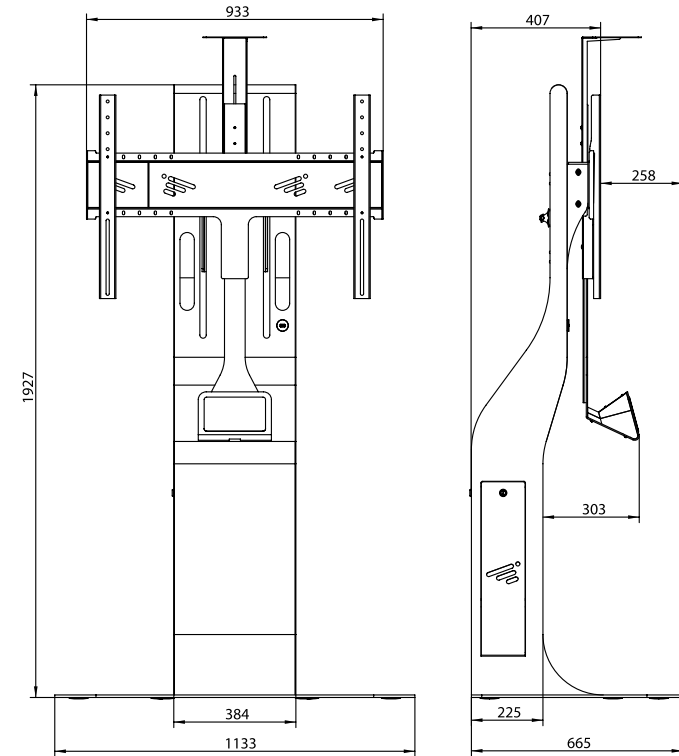
- STEEL MOUNT WITH LIFETIME WARRANTY
- 2 YEARS WARRANTY ON THE ELECTRONICS

CERTIFICATIONS

- CERTIFICATION CE : Machine directive (2006/42/CE), directive CEM (2014/30/UE)
- CERTIFICATION ROHS



YOOP



	Bottom of the screen on the lowest position	Top of the screen on the highest position
55 inches	1020 mm	2140 mm
65 inches	960 mm	2200 mm
70 inches	940 mm	2220 mm
75 inches	900 mm	2260 mm
86 inches	790 mm	2370 mm
98 inches	720 mm	2440 mm

* Warning, the wheels option adds 50 mm of height to the mount.
Central position of the screen at half height: 1600 mm.





REFERENCE
EVO1

contact@yooup.fr

+33 (0)9 72 10 71 25

www.yooup.fr

All rights reserved. Yoo'Up products and services mentioned here in as well as their respective logos are trademarks or registered trademarks of Yoo'Up. All other product and service names mentioned are the trademarks of the irrespective owners. All weights and dimensions are approximate. Product specifications are subject to change without prior notification.



YOO'UP
TAME STEEL WITH STYLE